

What's new in

PolyWorks® 2024

Dimensional Analysis &
Quality Control Solutions



Improve 3D Measurement Efficiency with our Re-Engineered User Interfaces

Our significant investments in improving software usability year after year directly reflect our core value of ensuring customer success. PolyWorks|Inspector™ 2024 delivers major gains in efficiency through its re-engineered user interfaces.

- ▶ Perform inspection tasks and discover new tools intuitively as we have merged all toolbars and the main menu bar into a new ribbon menu and adjusted the appearance and organization of interface widgets to offer a more logical workflow
- ▶ Access frequently used tools more directly, thereby reducing mouse movements and clicks
- ▶ Quickly find the functionalities that apply to selected objects by accessing a contextual tab or a simplified contextual menu
- ▶ Adapt the ribbon menu to your needs by repositioning tools or integrating macro scripts

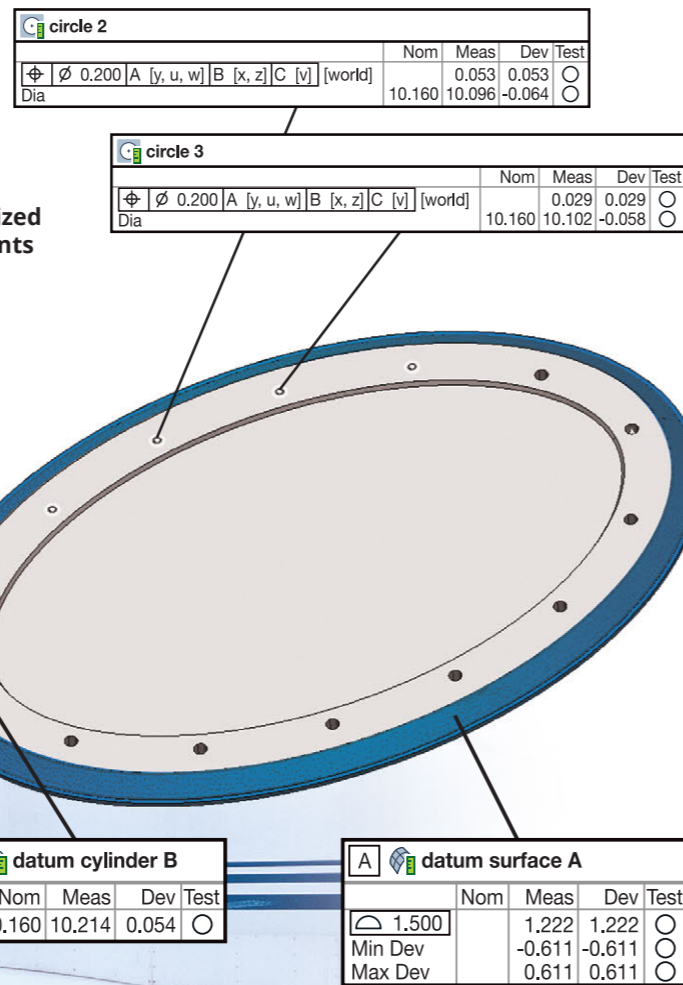
With PolyWorks|Inspector 2024, users are able to:

- ▶ Learn and master basic workflows more easily
- ▶ Retrieve their favorite tools more quickly
- ▶ Strengthen their skills by exploring various new tools at their fingertips

Empower Datum Reference Frames with Surface Features

Surface datum features allow evaluating GD&T in the optimized alignment required by the assembly, with all of the constraints and mobility intended. With PolyWorks|Inspector 2024:

- ▶ Simulate the real physical constraint of a surface datum feature by controlling the considered degrees of freedom
- ▶ Calculate the best measured control results possible by optimizing surface feature alignment within its full profile tolerance allowances

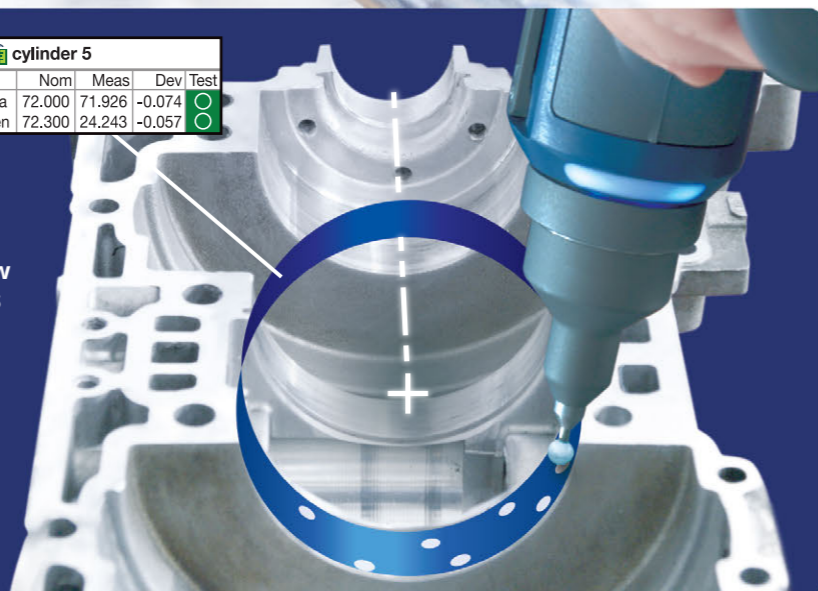


Control the Fit of Probed Features

With this new release, PolyWorks|Inspector now offers direct control over the fitting parameters of probed features, which enables users to:

- ▶ Predefine the fit type and constraints prior to probing to directly get the desired result
- ▶ Modify the fit type and constraints after probing and automatically update the result

cylinder 5				Nom	Meas	Dev	Test
Dia	72.000	71.926	-0.074	○			
Len	72.300	24.243	-0.057	○			

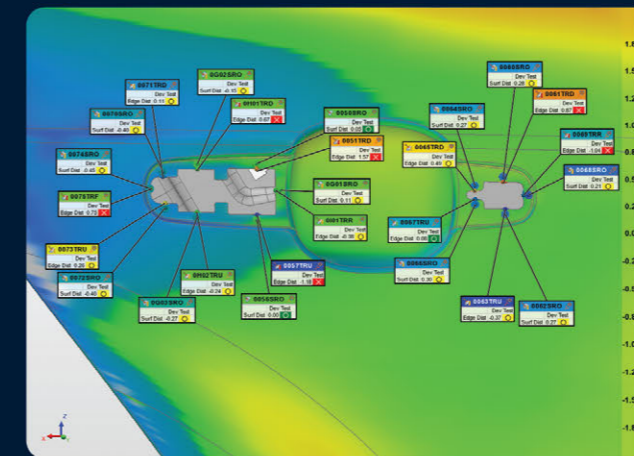


Improve Result Analysis and Reporting with Contextual Control Views

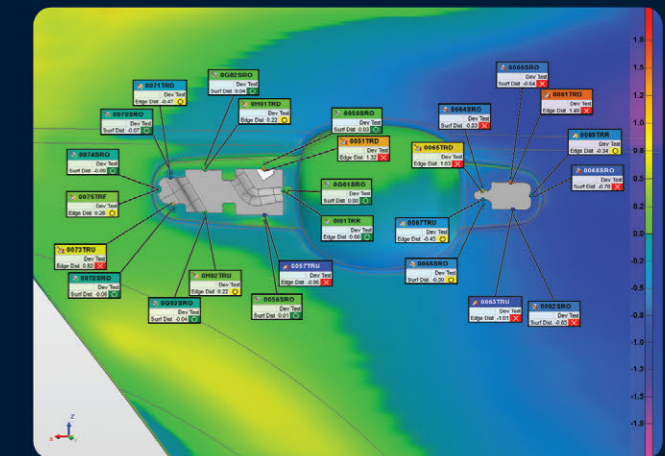
PolyWorks|Inspector already allows users to report 3D measurement results in multiple contexts using tables and snapshots. Version 2024 extends this capability to control views. Select a set of dimensional controls, choose a data alignment as well as a coordinate system, and create a contextual control view to:

- ▶ Analyze surface deviations in multiple alignments

With body alignment

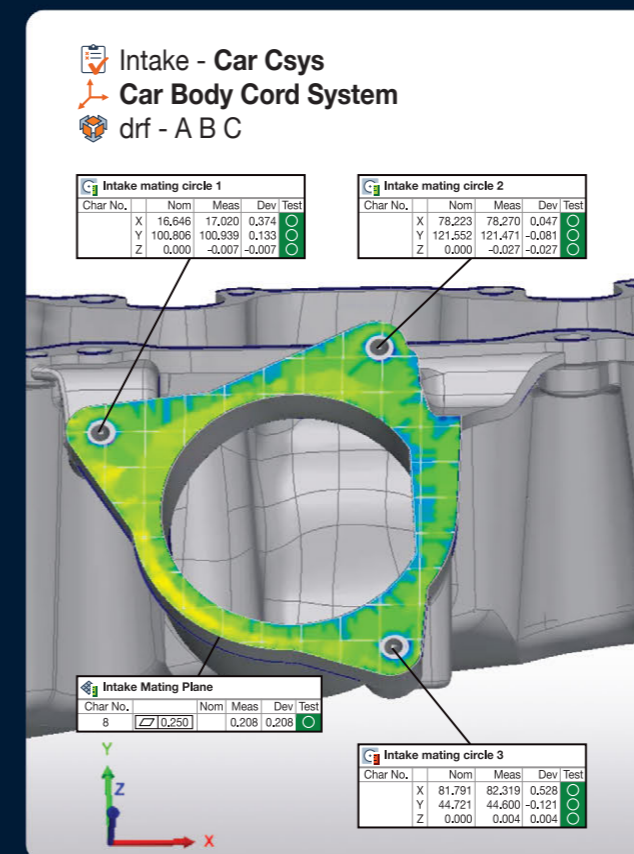


With handle alignment

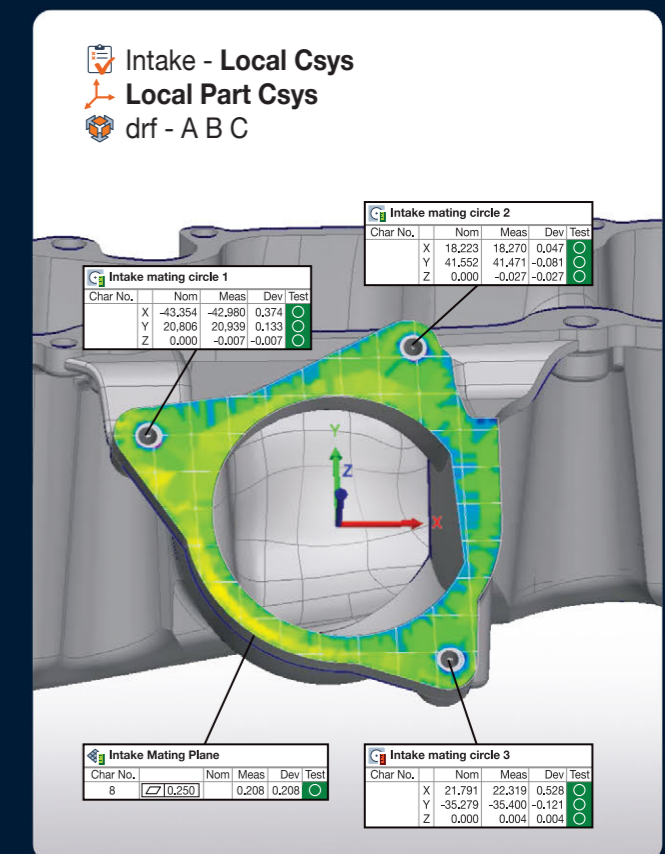


- ▶ Inspect dimensional controls in the tooling and assembly coordinate systems

With car body coordinate system



With intake part coordinate system



Perform CADless Inspection Workflows on CNC CMMs

CNC CMM operators can now create measurement sequences without any CAD data:

- ▶ Prepare a CNC sequence easily by leveraging a new teach mode that records manually probed points and Go To points
- ▶ Automate multipiece measurement by converting probed features from the first piece into measurement guides for subsequent pieces
- ▶ Improve measurement repeatability by resampling measurement guides and generating uniformly distributed measurement points



Corporate Headquarters:

innovmetric

InnovMetric Software Inc.

1-418-688-2061

info@innovmetric.com

© 2024 InnovMetric Software Inc. All rights reserved. PolyWorks® is a registered trademark of InnovMetric Software Inc. InnovMetric, PolyWorks|Inspector, PolyWorks|Modeler, PolyWorks|Talisman, PolyWorks|Reviewer, PolyWorks|DataLoop, PolyWorks|PMI+Loop, PolyWorks|AR, PolyWorks|ReportLoop, and "The Smart 3D Metrology Digital Ecosystem" are trademarks of InnovMetric Software Inc. SmartGD&T is a trademark of Multi Metrics Inc. All other trademarks are the property of their respective owners.

PIB SmartGD&T

Subsidiary Office:

**polyworks
europa**

France | Phone: +33 (0)1 30 79 02 22 | infofrance@polyworkseuropa.com

Italy | Phone: +39 0573 1812250 | infoitalia@polyworkseuropa.com

Spain & Portugal | Phone: +34 935 220 264 | infoespana@polyworkseuropa.com

Czech Republic | infocez@polyworkseuropa.com

www.polyworkseuropa.com